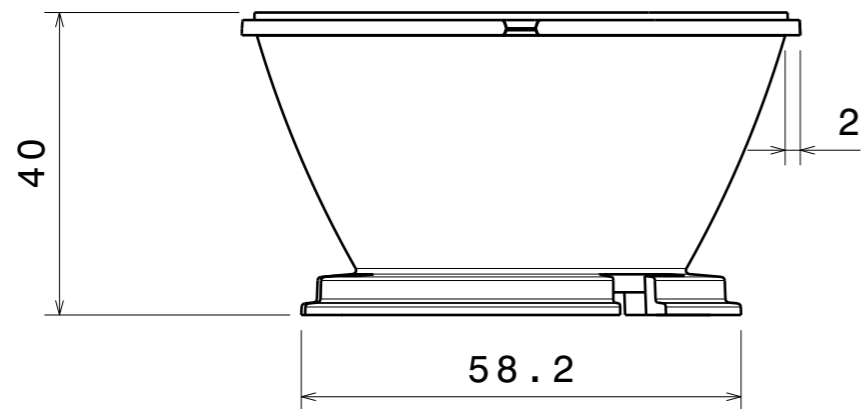
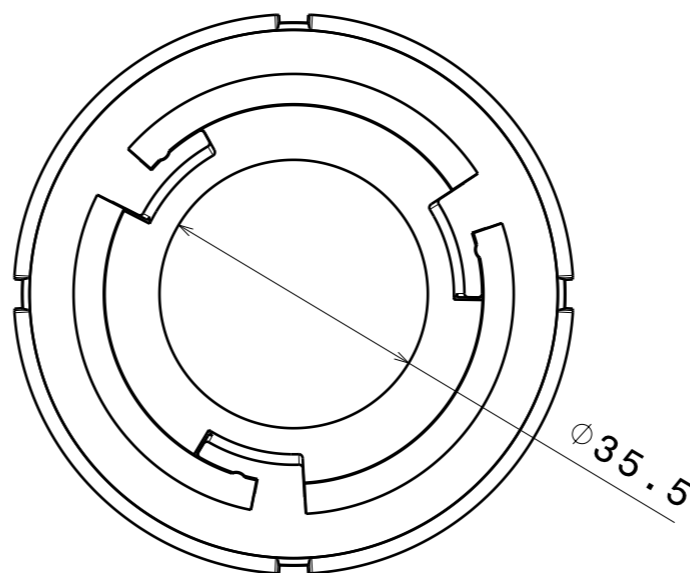


This drawing applies to:
 C17542_LENINA-S-HMDS
 C17543_LENINA-M-HMDS
 C17544_LENINA-W-HMDS

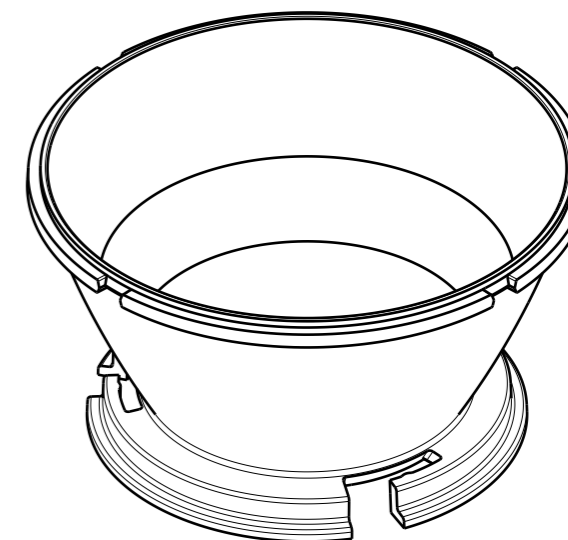
DATE
 08.11.2019



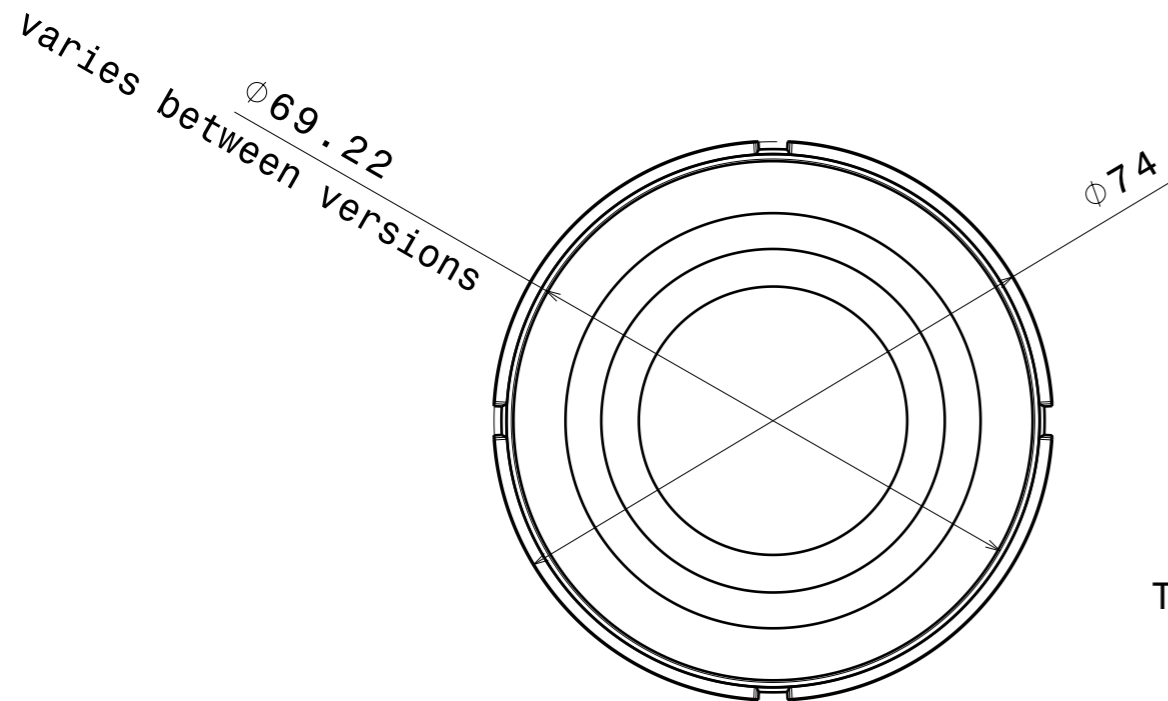
Front view



Bottom view



Isometric view



Top view

PART	TYPE	MATERIAL	COLOR / COATING
LENINA-HMDS-series	REFLECTOR	PC	metal / HMDS

MECHANICAL DRAWING		LEDiL [®]
PRODUCT LENINA		
Plastic moulding general tolerances according to DIN 16901-130 and applies if not otherwise shown in the drawing. Silicone moulding general tolerances according to ISO 3302-1 Class M3 and applies if not otherwise shown in the drawing.	FIRST ANGLE PROJECTION: 	This drawing is the property of LEDiL Oy. It may not be copied or otherwise distributed without prior written permission from LEDiL Oy.
SCALE 1:1	WEIGHT -	A3 SHEET 1/1

Notes

- PCB or heatsink level.
- LED location
- Ensure LED fitting from a product specific 3D model available from www.ledil.com
- For more details about installation please see LEDiL Installation Guide on www.ledil.com